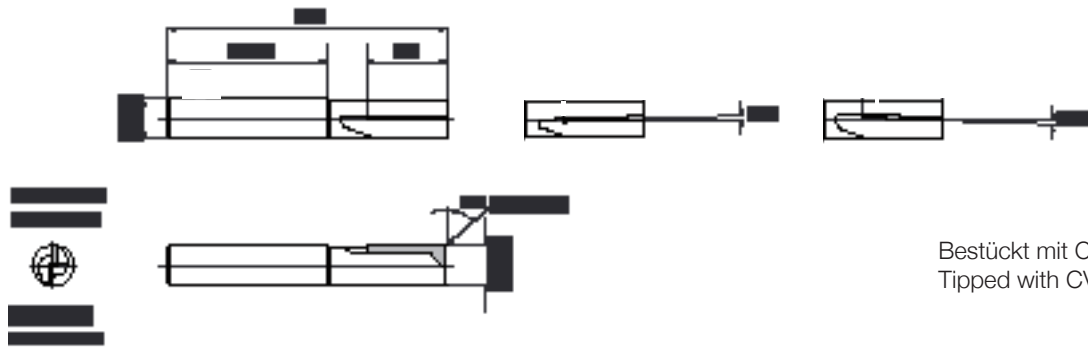


SpiceWaveMill



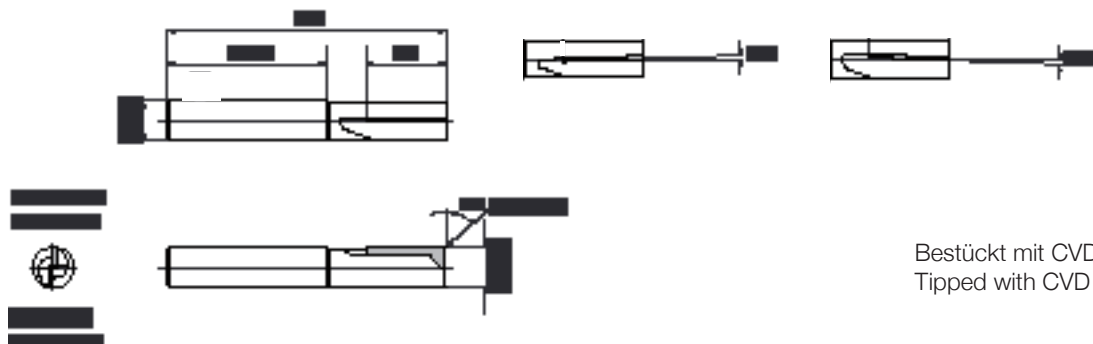
Bestückt mit CVD Diamond
Tipped with CVD Diamond

Habicht

mit / with TiroWave®

Bezeichnung Designation	D1 h10	D2 h6	z	Lc	L	Ls	Axial Winkel Axial Angle	Preis Price
SpiceWaveMill D04 L06							0°	
SpiceWaveMill D04 L06 +2	4	4	2	6	50	28	+2°	●
SpiceWaveMill D04 L06 -2							-2°	
SpiceWaveMill D04 L 08							0°	
SpiceWaveMill D04 L 08 +2	4	4	2	8	50	28	+2°	●
SpiceWaveMill D04 L 08 -2							-2°	
SpiceWaveMill D04 L 12							0°	
SpiceWaveMill D04 L 12 +2	4	4	2	12	50	28	+2°	●
SpiceWaveMill D04 L 12 -2							-2°	
SpiceWaveMill D06 L 06							0°	
SpiceWaveMill D06 L 06 +2	6	6	2	6	57	36	+2°	●
SpiceWaveMill D06 L 06 -2							-2°	
SpiceWaveMill D06 L 10							0°	
SpiceWaveMill D06 L 10 +2	6	6	2	10	57	36	+2°	●
SpiceWaveMill D06 L 10 -2							-2°	
SpiceWaveMill D06 L 15							0°	
SpiceWaveMill D06 L 15 +2	6	6	2	15	63	36	+2°	●
SpiceWaveMill D06 L 15 -2							-2°	
SpiceWaveMill D08 L 06							0°	
SpiceWaveMill D08 L 06 +2	8	8	2	6	63	36	+2°	●
SpiceWaveMill D08 L 06 -2							-2°	
SpiceWaveMill D08 L 12							0°	
SpiceWaveMill D08 L 12 +2	8	8	2	12	63	36	+2°	●
SpiceWaveMill D08 L 12 -2							-2°	
SpiceWaveMill D08 L 18							0°	
SpiceWaveMill D08 L 18 +2	8	8	2	18	72	36	+2°	●
SpiceWaveMill D08 L 18 -2							-2°	

SpiceWaveMill



Bestückt mit CVD Diamant
Tipped with CVD Diamond

Habicht

mit / with TiroWave®

Bezeichnung Designation	D1 h10	D2 h6	z	Lc	L	Ls	Axial Winkel Axial Angle	Preis Price
SpiceWaveMill D10 L08							0°	
SpiceWaveMill D10 L08 +2	10	10	2	8	72	40	+2°	●
SpiceWaveMill D10 L08 -2							-2°	
SpiceWaveMill D10 L 12							0°	
SpiceWaveMill D10 L 12 +2	10	10	2	12	72	40	+2°	●
SpiceWaveMill D10 L 12 -2							-2°	
SpiceWaveMill D10 L 18							0°	
SpiceWaveMill D10 L 18 +2	10	10	2	18	83	40	+2°	●
SpiceWaveMill D10 L 18 -2							-2°	
SpiceWaveMill D12 L 10							0°	
SpiceWaveMill D12 L 10 +2	12	12	2	10	83	45	+2°	●
SpiceWaveMill D12 L 10 -2							-2°	
SpiceWaveMill D12 L 15							0°	
SpiceWaveMill D12 L 15 +2	12	12	2	15	83	45	+2°	●
SpiceWaveMill D12 L 15 -2							-2°	
SpiceWaveMill D12 L 20							0°	
SpiceWaveMill D12 L 20 +2	12	12	2	20	92	45	+2°	●
SpiceWaveMill D12 L 20 -2							-2°	
SpiceWaveMill D16 L 10							0°	
SpiceWaveMill D16 L 10 +2	16	16	2	10	92	48	+2°	●
SpiceWaveMill D16 L 10 -2							-2°	
SpiceWaveMill D16 L 15							0°	
SpiceWaveMill D16 L 15 +2	16	16	2	15	92	48	+2°	●
SpiceWaveMill D16 L 15 -2							-2°	
SpiceWaveMill D16 L 20							0°	
SpiceWaveMill D16 L 20 +2	16	16	2	20	104	48	+2°	●
SpiceWaveMill D16 L 20 -2							-2°	