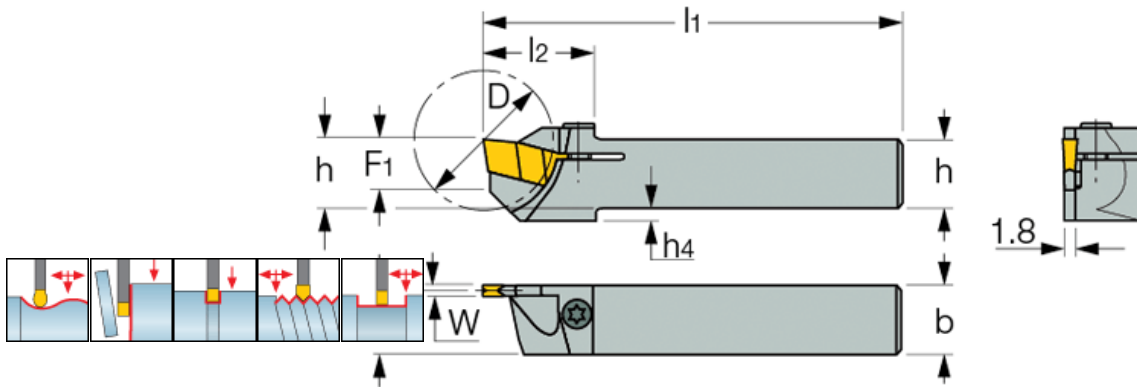




GHSR/L : Grooving and turning holders, for Swiss-type automatics.



Designation	W min	W max	D max	h	b	l1	f	F1	l2	h4	A
GHSL 10-2	2.2	3.15	20	10	10	120	9.1	7	18	2	1.8
GHSR 10-2	2.2	3.15	20	10	10	120	9.1	7	18	2	1.8
GHSL 12-2	2.2	3.15	25	12	12	120	11.1	7	20	2	1.8
GHSR 12-2	2.2	3.15	25	12	12	120	11.1	7	20	2	1.8
GHSL 14-2	2.2	3.15	26	14	14	120	13.1	8	20	-	1.8
GHSR 14-2	2.2	3.15	26	14	14	120	13.1	8	20	-	1.8
GHSL 16-2	2.2	3.15	32	16	16	120	15.1	8	26	-	1.8
GHSR 16-2	2.2	3.15	32	16	16	120	15.1	8	26	-	1.8

