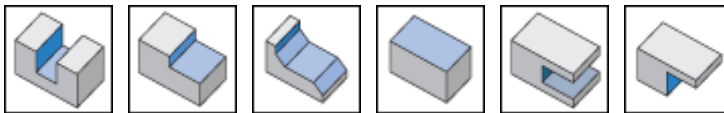
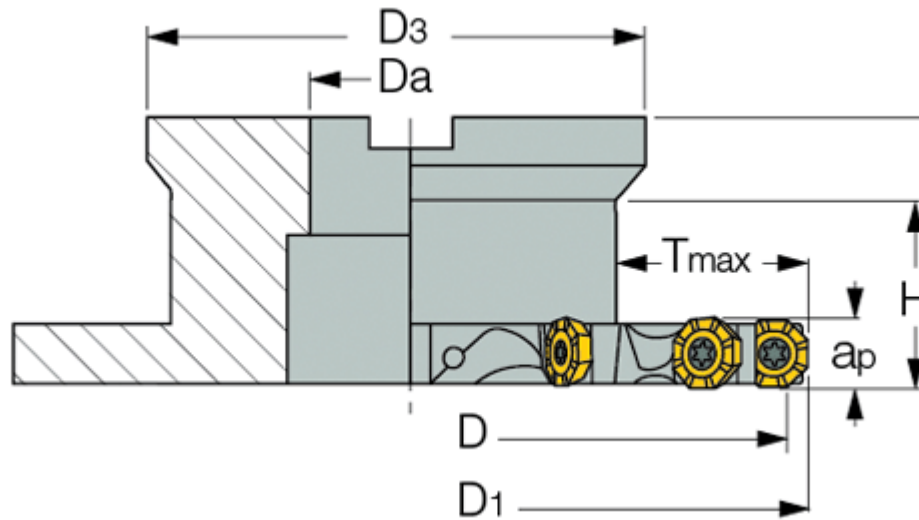




FDN-CM : Full width slotting cutters flanged type, with round and octagonal inserts.



Designation	D1	D	ap	Tmax	Z	Zeff	Da	D3	H	L	Arbor	Kg
FDN CM-D080-12-22-FE	80.5	68.60	12.20	23.30	6	6	22.00	45.00	28.20	40.00	A	0.35
FDN CM-D100-12-27-FE	100.5	88.60	12.20	26.80	8	8	27.00	55.00	28.50	40.00	B	0.57
FDN CM-D125-12-32-FE	125.5	113.60	12.20	35.30	10	10	32.00	65.00	32.00	45.00	B	0.94
FDN CM-D100-14-27-HE	100.5	88.60	14.50	26.80	8	4	27.00	55.00	28.50	40.00	B	0.55
FDN CM-D125-14-32-HE	125.5	113.60	14.50	32.30	10	5	32.00	65.00	32.00	50.00	B	1.00
FDN CM-D160-16-40-HE	160.5	148.60	16.50	46.80	12	6	40.00	80.00	33.50	50.00	B	1.95

For various insert options, see "More info".