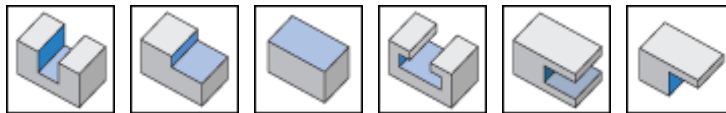
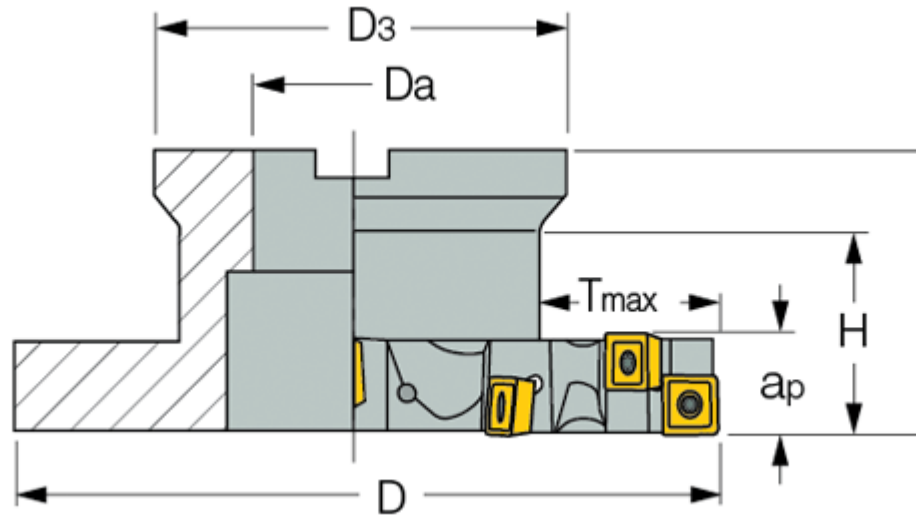




FDN : HELIQUAD, Full slot, flange-type slotting cutters.



Designation	D	ap	Z	Zeff	Tmax	Da	D3	H	L	Arbor	Kg
FDN D080-08-22-R06	80.00	8.00	14	7	22.70	22.00	45.00	28.10	40.00	A	0.34
FDN D100-08-27-R06	100.00	8.00	16	8	26.40	27.00	55.00	28.80	40.00	B	0.52
FDN D100-10-27-R06	100.00	10.00	16	8	26.50	27.00	55.00	29.50	40.00	B	0.59
FDN D125-10-32-R06	125.00	10.00	20	10	35.50	32.00	65.00	32.00	45.00	B	0.94
FDN D125-12-32-R10	125.00	12.00	14	7	35.50	32.00	65.00	32.00	45.00	B	1.00
FDN D125-16-32-R10	125.00	16.00	14	7	34.00	32.00	65.00	37.00	50.00	B	1.23
FDN D160-12-40-R10	160.00	12.00	16	8	46.90	40.00	80.00	33.50	50.00	B	1.76
FDN D160-16-40-R10	160.00	16.00	16	8	46.50	40.00	80.00	43.50	60.00	B	2.14
FDN D200-12-40-R10	200.00	12.00	22	11	54.00	40.00	92.00	-	50.00	C	2.93
FDN D160-13-40-R12	160.00	13.00	14	7	46.50	40.00	80.00	33.50	50.00	B	1.84
FDN D160-16-40-R12	160.00	16.00	14	7	46.90	40.00	80.00	43.50	60.00	B	2.01
FDN D160-18-40-R12	160.00	18.00	12	6	47.00	40.00	80.00	43.50	60.00	B	2.20
FDN D200-18-40-R12	200.00	18.00	16	8	54.00	40.00	92.00	50.00	50.00	C	3.20
FDN D200-20-40-R12	200.00	20.00	16	8	62.00	40.00	92.00	41.00	63.00	E	3.54
FDN D250-20-60-R12	250.00	20.00	22	11	60.00	60.00	130.00	50.00	63.00	C	7.00

For fully effective conditions, click on "More Info".