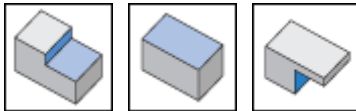
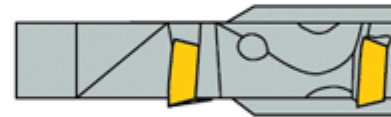
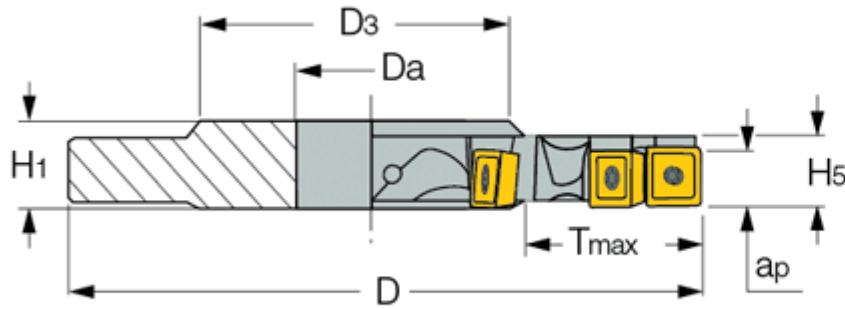




SSB : Single-side cutting, disk type slotting cutters carrying square inserts.



Designation	ap	D	Z	Zeff	Tmax	Da	D3	H5	H1
SSB D100-12-32-L10	9.00	100.00	9	9	26.00	32.00	47.00	12.00	16.0
SSB D100-12-32-R10	9.00	100.00	9	9	26.00	32.00	47.00	12.00	16.0
SSB D125-12-40-L10	9.00	125.00	11	11	35.00	40.00	55.00	12.00	16.0
SSB D125-12-40-R10	9.00	125.00	11	11	35.00	40.00	55.00	12.00	16.0
SSB D160-16-40-L10	9.00	160.00	13	13	52.00	40.00	55.00	16.00	20.0
SSB D160-16-40-R10	9.00	160.00	13	13	52.00	40.00	55.00	16.00	20.0
SSB D200-16-50-R10	9.00	200.00	17	17	65.00	50.00	69.00	16.00	20.0
SSB D160-16-40-L12	12.00	160.00	11	11	51.50	40.00	56.00	16.00	24.0
SSB D160-16-40-R12	12.00	160.00	11	11	51.50	40.00	56.00	16.00	24.0
SSB D200-16-50-L12	12.00	200.00	13	13	65.00	50.00	55.00	16.00	20.0
SSB D200-16-50-R12	12.00	200.00	13	13	65.00	50.00	55.00	16.00	20.0