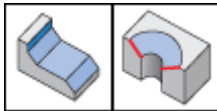
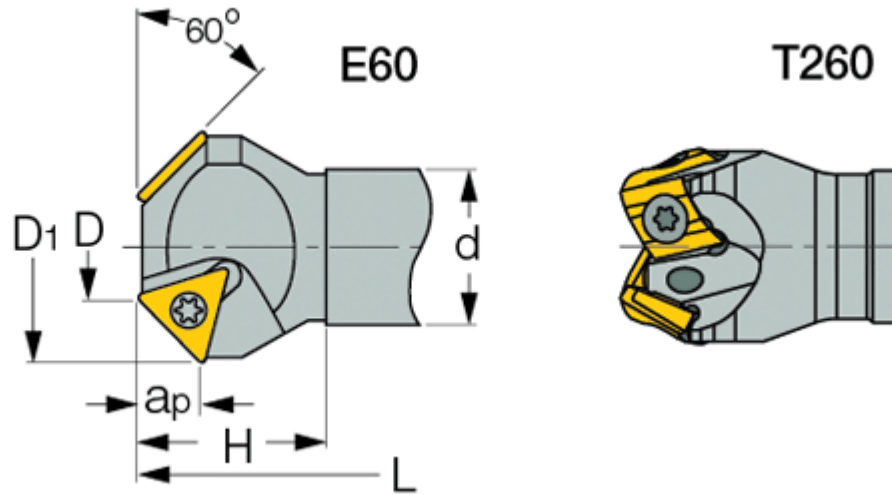




E60 / T260 : 60° chamfering endmills.



Designation	D	D1	Z	ap	L	H	d	Shank	Coolant	Kg
T260 ELN D12-4-C12-05	12.00	17.5	4	4.50	80.00	20.00	12.00	C	Y	0.07
T260 ELN D12-4-W12-05	12.00	17.5	4	4.50	80.00	20.00	12.00	W	Y	0.07
E60 D25-W25	25.00	39.4	2	12.30	100.00	33.00	25.00	W	N	0.38