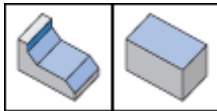
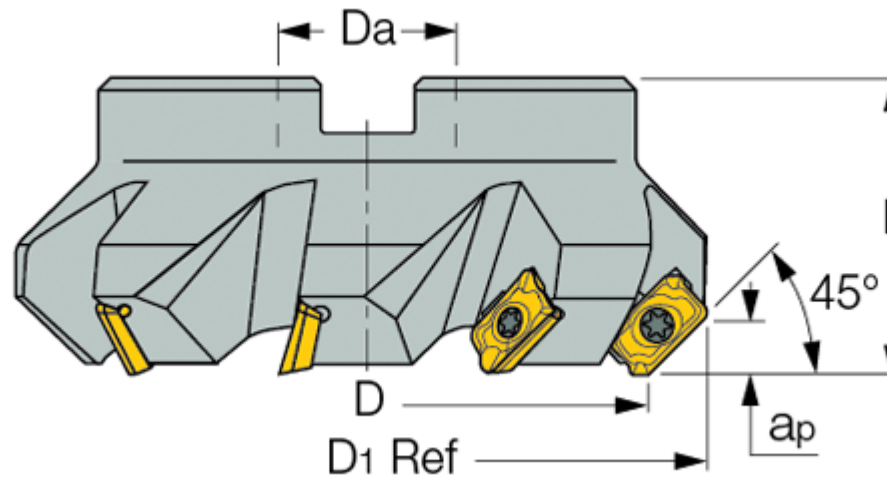




F45AD : HELIMILL, 45°face mills with AD...-1505... inserts.



Designation	D	D1	Z	ap	L	Da	Arbor	Kg
F45AD D 50-22	50.00	68.0	4	8.50	40.00	22.00	A	0.45
F45AD D63-27	63.00	81.0	5	8.50	50.00	27.00	B	0.99
F45AD D 80-27	80.00	98.0	7	8.50	50.00	27.00	B	1.19