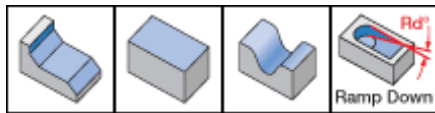
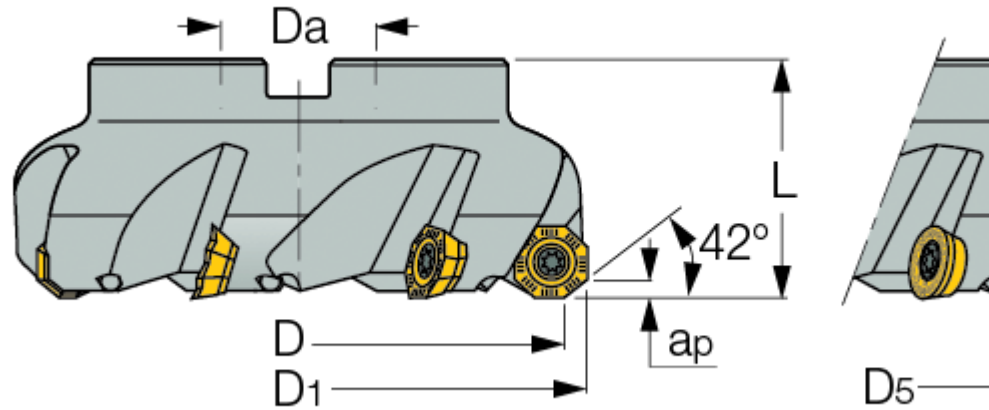




F45KT : HELIOCTO, 45°face mills, using octagonal or round inserts.



Designation	D	D1	D5	Z	ap	L	L5	Da	Rd?/b>	Rd?	Arbor	Kg
F45KT D050-22-R06	50.00	59.4	60.70	4	2.50	40.00	40.50	22.00	4.2	5.7	A	0.34
F45KT D063-R06 J	63.00	72.4	73.70	5	2.50	50.00	50.50	25.40	3.2	4.0	A	0.60
F45KT D063-22-R06	63.00	72.4	73.70	5	2.50	40.00	40.50	22.00	3.2	4.0	A	0.48
F45KT D080-R06 J	80.00	89.4	90.70	6	2.50	50.00	50.50	25.40	2.5	2.9	B	1.00
F45KT D080-27-R06	80.00	89.4	90.70	6	2.50	50.00	50.50	27.00	2.5	2.9	B	0.97
F45KT D100-R06 J	100.00	109.4	110.70	7	2.50	60.00	60.50	31.75	1.9	2.2	B	1.69
F45KT D100-32-R06	100.00	109.4	110.70	7	2.50	50.00	50.50	32.00	1.9	2.2	B	1.49
F45KT D125-R06 J	125.00	134.4	135.70	8	2.50	60.00	60.50	38.10	1.4	1.6	B	2.85
F45KT D125-40-R06	125.00	134.4	135.70	8	2.50	63.00	63.50	40.00	1.4	1.6	B	2.97