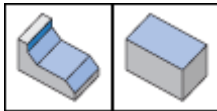
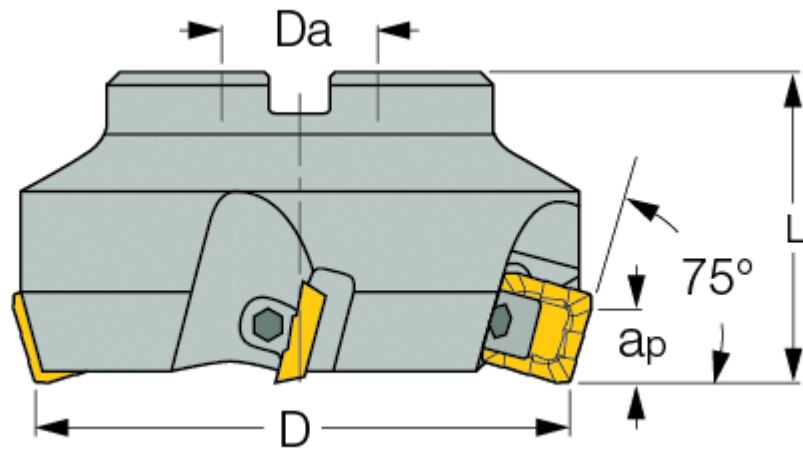




F75 : 75° face mills with SPKN/SPKR/SPUN 1203.. inserts.



Designation	D	Z	a_p	L	D_a	Arbor	Kg
F75 D50-16	50.00	4	9.50	40.00	16.00	A	0.36
F75 D63-22	63.00	5	9.50	40.00	22.00	A	0.56
F75 D80-27	80.00	6	9.50	50.00	27.00	B	1.12
F75 D100-32	100.00	8	9.50	50.00	32.00	B	1.76
F75 D125-40	125.00	8	9.50	63.00	40.00	B	3.66