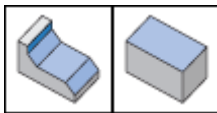
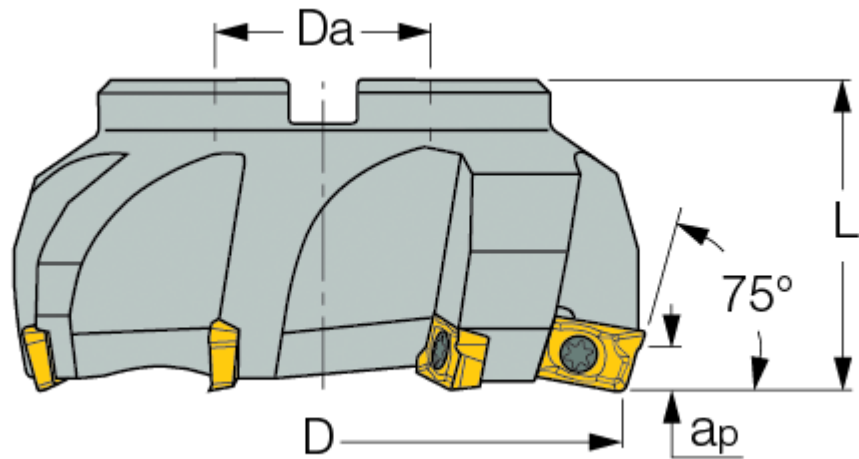




F75A : HELIMILL, 75°face mills with AD..-1505... inserts.



Designation	D	Z	ap	Da	L	Arbor	Kg
F75A D50-16-M	50.00	3	7.00	16.00	40.00	A	0.30
F75A D63-22-M	63.00	4	7.00	22.00	40.00	A	0.47
F75A D80-27-M	80.00	5	7.00	27.00	50.00	A	0.86
F75A D100-32-M	100.00	6	7.00	32.00	50.00	B	1.50
F75A D125-40-M	125.00	7	7.00	40.00	63.00	B	2.61
F75A D160-40-M	160.00	8	7.00	40.00	63.00	C	4.37
F75A D200-60-M	200.00	9	7.00	60.00	63.00	C	7.79

Thinner insert ADM. 1503..mounted on TSP-15R seat.