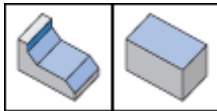
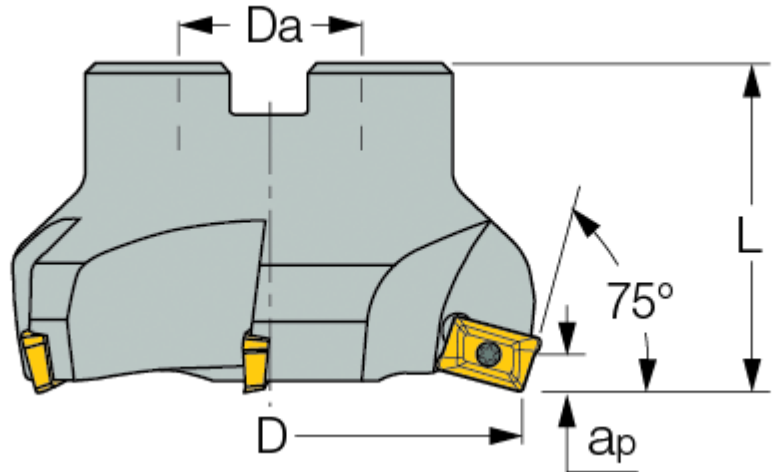




**F75AP** : HELIMILL, 75°face mills with AP..-1003... inserts.



Designation	D	Z	ap	L	Da	Arbor	Kg
F75AP D50-22	50.00	5	4.00	40.00	22.00	A	0.28
F75AP D63-22	63.00	6	4.00	40.00	22.00	A	0.48
F75AP D80-27	80.00	7	4.00	50.00	27.00	B	0.81