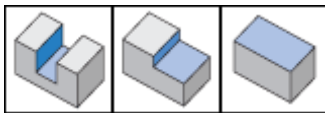
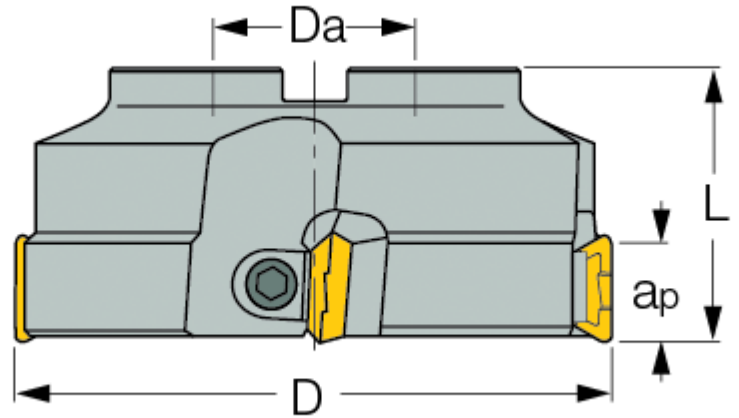




F90 : 90° face mills with TPKN/R inserts.



Designation	D	Z	L	ap	Da	Arbor	Kg
F90 D63-22	63.00	5	40.00	13.80	22.00	A	0.43
F90 D080-27	80.00	6	50.00	18.00	27.00	B	0.88
F90 D100-32	100.00	8	50.00	18.00	32.00	B	1.33
F90 D125-40	125.00	8	63.00	18.00	40.00	B	3.16
F90 D160-40	160.00	10	63.00	18.00	40.00	B	4.85
F90 D200-60	200.00	12	63.00	18.00	60.00	C	8.01