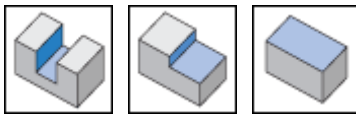
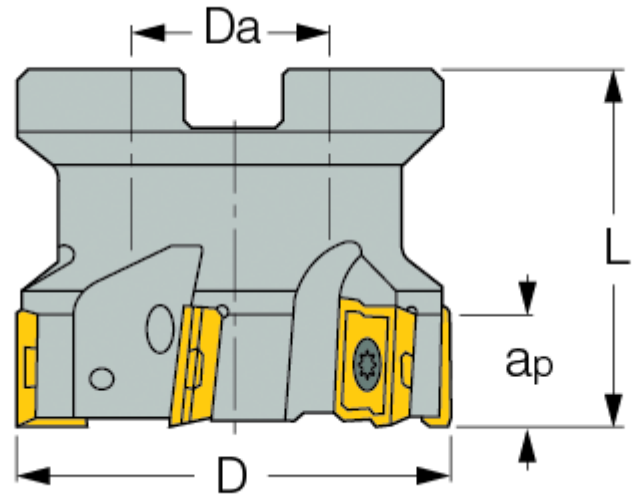




**3M F90AX-13** : MILL2000, Heavy duty 90° face mills with 3M AXKT 1304.. inserts with dovetail section shape, helical cutting edges applications.



Designation	D	Z	ap	L	Da	Arbor	Kg
3M F90AX D040-16-13	40.00	5	12.50	40.00	16.00	A	0.18
3M F90AX D050-22-13	50.00	6	12.50	40.00	22.00	A	0.29
3M F90AX D063-22-13	63.00	7	12.50	40.00	22.00	A	0.48
3M F90AX D63-7-25.4-13	63.00	7	12.50	50.00	25.40	A	0.66
3M F90AX D080-6-27-13	80.00	6	12.50	50.00	27.00	B	0.91
3M F90AX D080-27-13	80.00	8	12.50	50.00	27.00	B	0.95
3M F90AX D080-8-25.4-13	80.00	8	12.50	50.00	25.40	B	0.99
3M F90AX D100-7-32-13	100.00	7	12.50	50.00	32.00	B	1.45
3M F90AX D100-9-31.75-13	100.00	9	12.50	50.00	31.70	B	1.54
3M F90AX D125-8-40-13	125.00	8	12.50	63.00	40.00	B	2.40
3M F90AX D125-10-38.1-13	125.00	10	12.50	63.00	38.10	B	2.59
3M F90AX D125-40-13	125.00	10	12.50	63.00	40.00	B	2.44
3M F90AX D160-10-40-13	160.00	10	12.50	63.00	40.00	B	3.72
3M F90AX D160-12-50.8-13	160.00	12	12.50	63.00	50.80	B	3.80

Reduce feed by 50% during engagement and exit from the workpiece. This practice will substantially increase insert life.