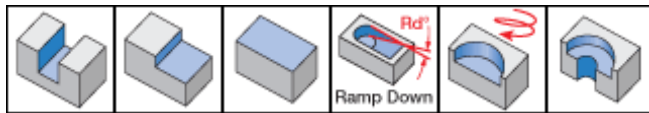
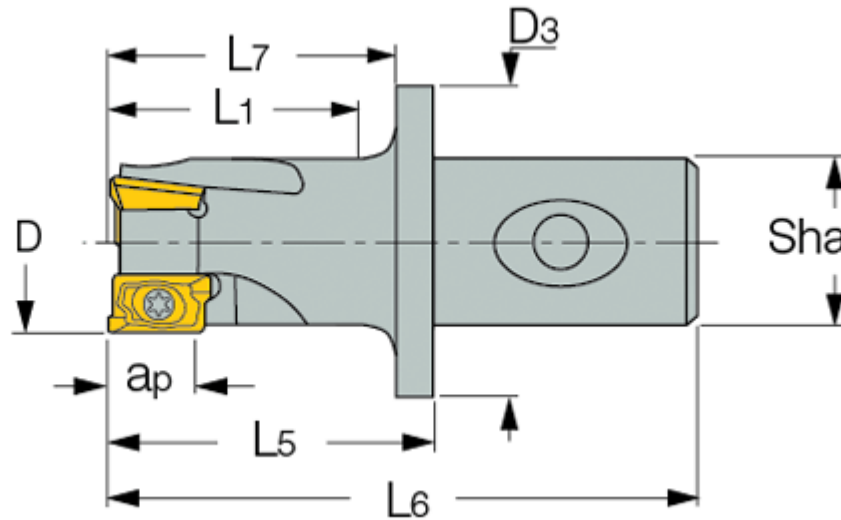




HM90 E90AD-CF-15 : HELI2000, 90°endmills with a CLICKFIT adaptation for HM90 ADKT-1505... inserts.



Designation	D	Z	ap	L1	L7	L5	L6	Rd?/b>	D3	Shank	Kg
HM90 E90AD-D25-2-CF4	25.00	2	14.30	42.0	45.00	53.00	95.00	11.5	44.00	CF4	0.34
HM90 E90AD-D32-3-CF4	32.00	3	14.30	40.0	45.00	53.00	95.00	5.3	44.00	CF4	0.41
HM90 E90AD-D40-4-CF4	40.00	4	14.30	44.0	50.00	58.00	100.00	4.0	44.00	CF4	0.57

For adaptation click on "More Info".
Thinner insert ADM. 1503..mounted on TSP-15R seat.