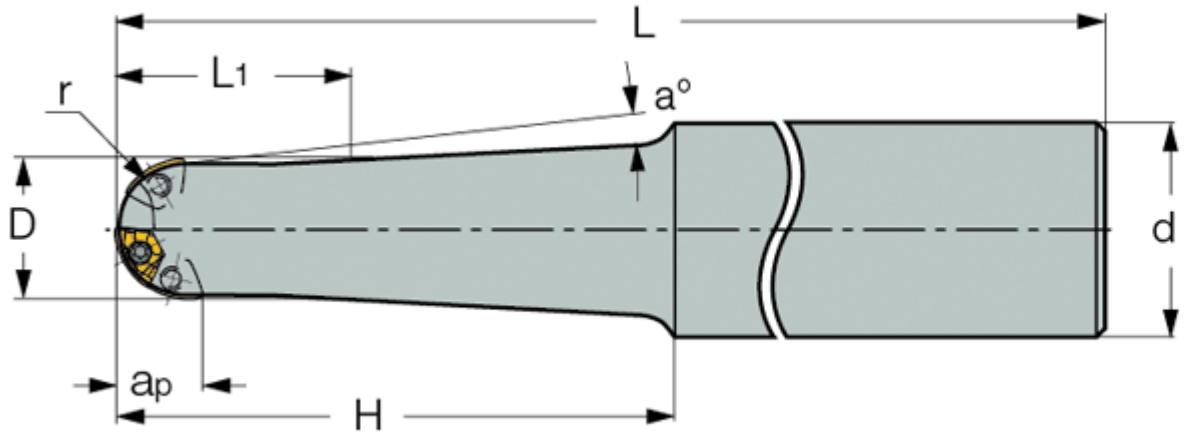




CM-D30-50 : Ball nose profiling tools.



SS=S



Designation	D	r	Z	ap	Zeff	L1	H	L	a°/b>	d	SS	Style/d	Kg
CM D30-A-W32	30.00	15.00	3	15.00	2	-	65.00	160.00	0	32.00	A	W32	0.93
CM D32-A-W32	32.00	16.00	3	16.00	2	-	65.00	160.00	0	32.00	A	W32	0.95
CM D40-B-W40	40.00	20.00	4	20.00	2	-	125.00	250.00	0	40.00	B	W40	2.33
CM D50-A-W32	50.00	25.00	6	25.00	2	-	80.00	140.00	0	32.00	A	W32	1.28

For adaptation, click on "More Info".