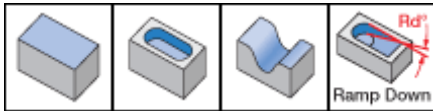
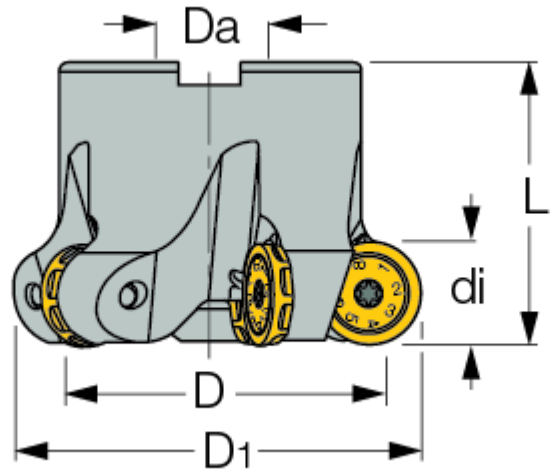




**FR** : Face mills with round inserts for profiling and milling of round corners (ROUNDMILL).



Designation	D1	D	di	Z	L	Da	Rd?/b>	Arbor	Kg	ap
FR D034A050-04-22-16	50.0	34.00	16.00	4	54.00	22.00	12.0	A	0.26	8.00
FR D036A052-04-22-16	52.0	36.00	16.00	4	50.00	22.00	12.0	A	0.26	8.00
FR D047A063-05-22-16	63.0	47.00	16.00	5	45.00	22.00	9.0	A	0.40	8.00
FR D050A066-05-22-16	66.0	50.00	16.00	5	45.00	22.00	8.0	A	0.41	8.00
FR D064A080-06-27-16	80.0	64.00	16.00	6	50.00	27.00	6.0	B	0.62	8.00
FR D060A080-05-25.4-20 *	80.0	60.00	20.00	5	50.00	25.40	11.5	B	0.56	10.00
FR D060A080-05-27-20	80.0	60.00	20.00	5	50.00	27.00	11.5	B	0.58	10.00
FR D080A100-06-32-20	100.0	80.00	20.00	6	50.00	32.00	8.2	B	0.94	10.00
FR D105A125-07-40-20	125.0	100.00	20.00	7	63.00	40.00	6.0	B	0.20	10.00
FR D140A160-08-40-20	160.0	140.00	20.00	8	63.00	40.00	5.2	C	3.30	10.00