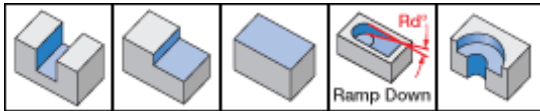
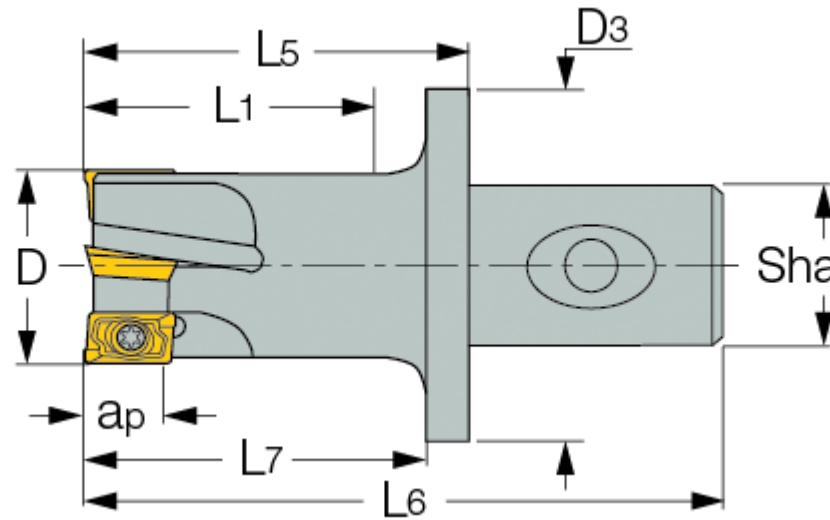




HM90 E90A-CF-10 : HELI2000 endmills with a CLICKFIT adaptation for HM90 AP.. 1003... inserts.



| Designation | D | Z | ap | L1 | L7 | L5 | L6 | Rd?/b> | D3 | Shank | Kg |
|---------------------|-------|---|-------|------|-------|-------|-------|--------|-------|-------|------|
| HM90 E90A-D25-3-CF4 | 25.00 | 3 | 10.00 | 34.0 | 40.00 | 48.00 | 90.00 | 5.0 | 44.00 | CF4 | 0.34 |
| HM90 E90A-D32-4-CF4 | 32.00 | 4 | 10.00 | 39.0 | 45.00 | 53.00 | 95.00 | 3.0 | 44.00 | CF4 | 0.44 |
| HM90 E90A-D40-5-CF4 | 40.00 | 5 | 10.00 | 42.0 | 45.00 | 53.00 | 95.00 | 2.7 | 44.00 | CF4 | 0.60 |

For adaptation, click on "More Info".