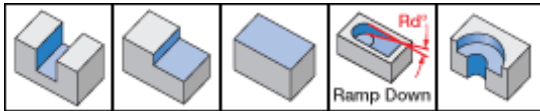
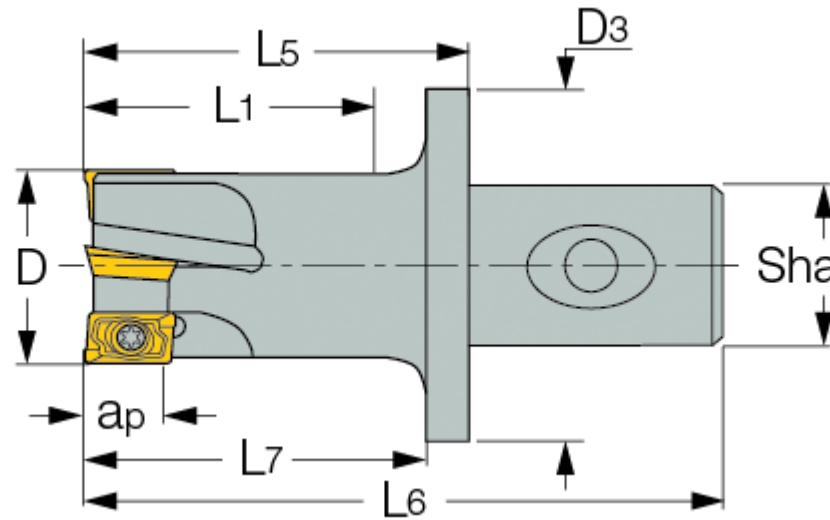




HM90 E90A-CF-10 : HELI2000 endmills with a CLICKFIT adaptation for HM90 AP.. 1003... inserts.



Designation	D	Z	ap	L1	L7	L5	L6	Rd?/b>	D3	Shank	Kg
HM90 E90A-D25-3-CF4	25.00	3	10.00	34.0	40.00	48.00	90.00	5.0	44.00	CF4	0.34
HM90 E90A-D32-4-CF4	32.00	4	10.00	39.0	45.00	53.00	95.00	3.0	44.00	CF4	0.44
HM90 E90A-D40-5-CF4	40.00	5	10.00	42.0	45.00	53.00	95.00	2.7	44.00	CF4	0.60

For adaptation, click on "More Info".