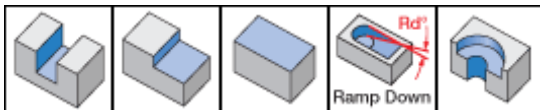
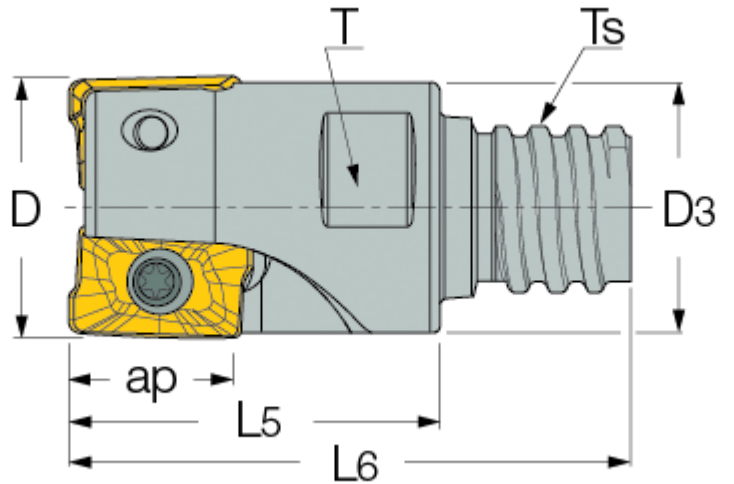




**HM90 E90A-MM-10** : HELI2000 90° endmills with a MULTI-MASTER threaded adaptation for HM90 AP.. 1003... inserts.



Designation	D	Z	ap	L6	Rd?/b>	L5	Ts	T	D3	Kg
HM90 E90A-D16-2-MMT10	16.00	2	10.00	34.75	15.0	23.00	T10	13.0	15.30	0.18
HM90 E90A-D20-2-MMT12	20.00	2	10.00	38.30	7.5	24.60	T12	16.0	19.20	0.11
HM90 E90A-D20-3-MMT12	20.00	3	10.00	38.30	7.5	24.60	T12	16.0	19.20	0.11

For tightening torque click on "More Info".