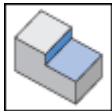
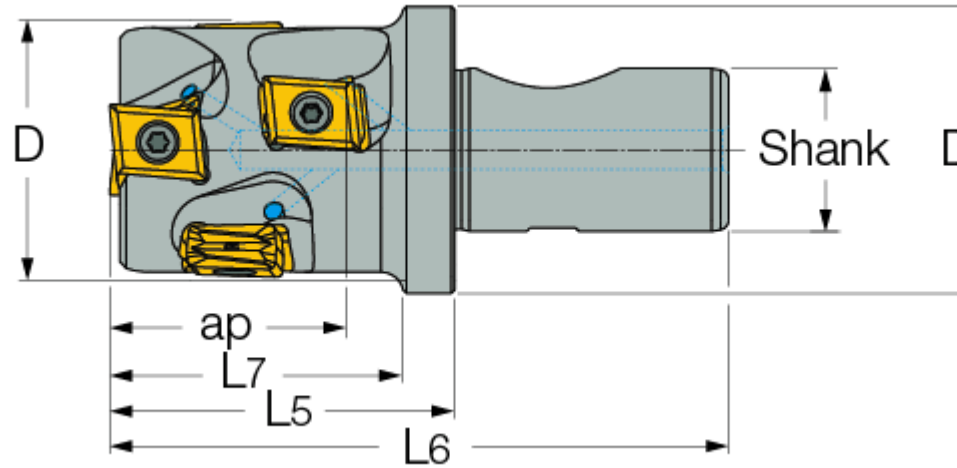




T490 LNK-CF-13 : Extended flute endmills with CLICKFIT shanks, carrying T490 LNMT/HT 1306... tangentially clamped inserts.



Designation	D	Flute	Z	ap	L7	L5	L6	D3	Shank	Kg
T490 LNK-D40-36-2-CF4-13	40.00	2	6	36.30	43.27	53.00	95.00	44.00	CF4	0.25
T490 LNK-D40-48-3-CF4-13	40.00	3	12	48.00	58.23	68.00	110.00	44.00	CF4	1.44
T490 LNK-D50-47-3-CF4-13	50.00	3	12	47.50	53.17	63.50	105.00	44.00	CF4	0.86
T490 LNK-D50-59-4-CF4-13	50.00	4	20	59.10	-	73.00	115.00	44.00	CF4	2.23

For adaptation, click on "More Info".