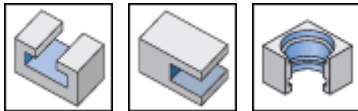
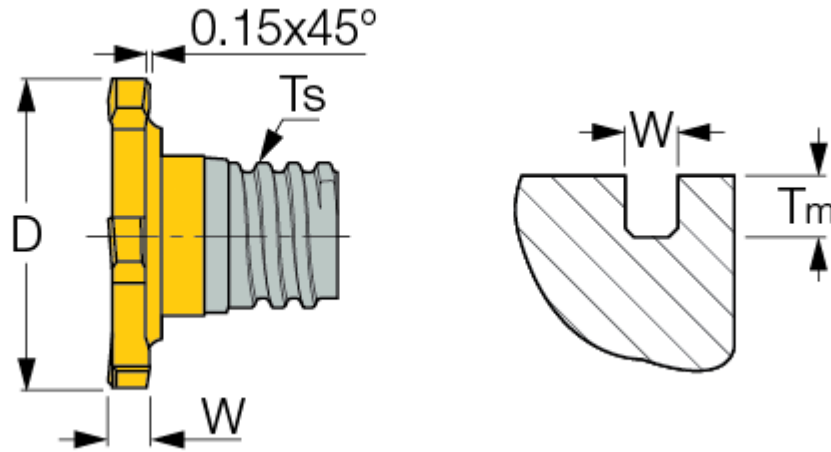




MM TS-N : MULTI-MASTER interchangeable solid carbide T-Slot milling heads with chamfered corners.



Designation	D-0.05	W±0.02	Z	Tmax	Ts	Grade
MM TS.500-N062P-06T05	12.70	1.58	6	2.25	T05	IC328
MM TS.500-N078P-06T05	12.70	1.98	6	2.25	T05	IC328
MM TS135-N20P-06T05	13.50	2.00	6	2.65	T05	IC328
MM TS135-N25P-06T05	13.50	2.50	6	2.65	T05	IC328

For tightening torques and clamping instructions, click on "More Info".
Do not apply lubricant to the threaded connection.