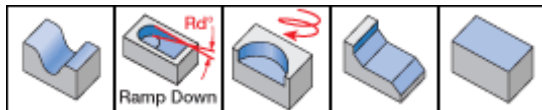
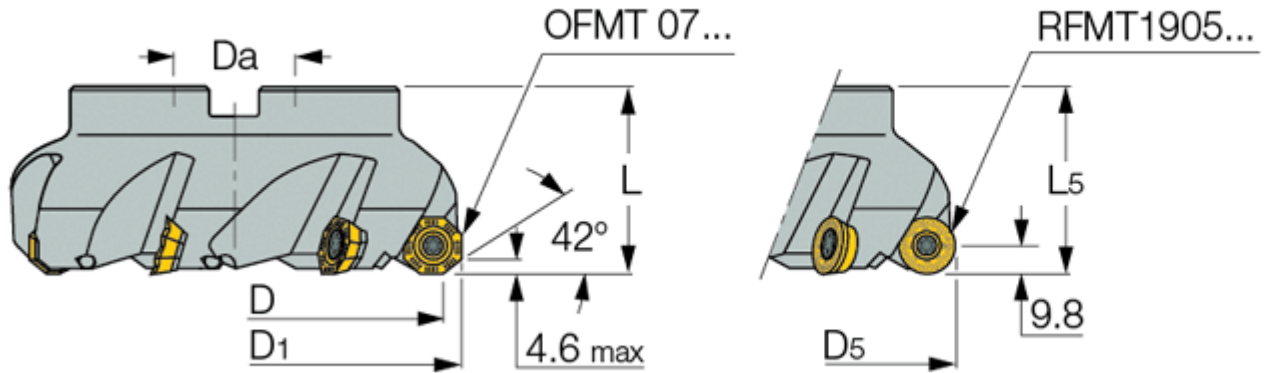




HOF : HELIOCTO, Face mills using octagonal, round and high feed segmented radius inserts.



| Designation | D | D1 | L | Rd?/b> | D5 | L5 | Rd? | D3 | D6 | L6 | Rd? | Z | Da | Arbor | Kg |
|-----------------------|--------|-------|-------|--------|--------|-------|-----|--------|--------|-------|-----|----|-------|-------|-------|
| HOF D050-03-22-R07 | 50.00 | 62.5 | 40.00 | 6.5 | 63.30 | 40.50 | 9.0 | 44.80 | 64.00 | 40.60 | 9.0 | 3 | 22.00 | A | 0.31 |
| HOF D063-04-22-R07 | 63.00 | 75.5 | 40.00 | 5.0 | 76.30 | 40.50 | 6.0 | 57.80 | 77.00 | 40.60 | 6.0 | 4 | 22.00 | A | 0.40 |
| HOF D080-05-25.40-R07 | 80.00 | 92.5 | 50.00 | 3.5 | 93.30 | 50.50 | 4.5 | 74.80 | 94.00 | 50.60 | 4.5 | 5 | 25.40 | B | 1.05 |
| HOF D080-05-27-R07 | 80.00 | 92.5 | 50.00 | 3.5 | 93.30 | 50.50 | 4.5 | 92.50 | 94.00 | 50.60 | 4.5 | 5 | 27.00 | B | 1.05 |
| HOF D100-06-31.75-R07 | 100.00 | 112.5 | 50.00 | 2.5 | 113.30 | 50.50 | 3.0 | 94.80 | 114.00 | 50.60 | 3.0 | 6 | 31.75 | C | 1.63 |
| HOF D100-06-32-R07 | 100.00 | 112.5 | 50.00 | 2.5 | 113.30 | 50.50 | 3.0 | 94.80 | 114.00 | 50.60 | 3.0 | 6 | 32.00 | B | 1.62 |
| HOF D125-08-38.10-R07 | 125.00 | 137.5 | 63.00 | 2.5 | 138.30 | 63.50 | 2.5 | 119.80 | 139.00 | 63.60 | 2.5 | 8 | 38.10 | C | 3.07 |
| HOF D125-08-40-R07 | 125.00 | 137.5 | 63.00 | 2.5 | 138.30 | 63.50 | 2.5 | 119.80 | 139.00 | 63.60 | 2.5 | 8 | 40.00 | B | 2.60 |
| HOF D160-10-40-R07 | 160.00 | 172.5 | 63.00 | 1.9 | 173.30 | 63.50 | 1.9 | 154.80 | 174.00 | 63.60 | - | 10 | 40.00 | C | 4.37 |
| HOF D160-10-50.80-R07 | 160.00 | 172.5 | 63.00 | 1.9 | 173.30 | 63.50 | 1.9 | 154.80 | 174.00 | 63.60 | - | 10 | 50.80 | B | 4.97 |
| HOF D200-12-60-R07 | 200.00 | 212.5 | 63.00 | 1.5 | 213.30 | 63.50 | 1.5 | 194.80 | 214.00 | 63.60 | - | 12 | 60.00 | C | 1.15 |
| HOF D250-15-60-R07 | 250.00 | 262.5 | 63.00 | 1.2 | 263.30 | 63.50 | 1.2 | 244.80 | 264.00 | 63.60 | - | 15 | 60.00 | C | 10.90 |
| HOF D315-18-60-R07 | 315.00 | 327.5 | 80.00 | 0.9 | 328.30 | 80.50 | 0.9 | 309.80 | 329.00 | 80.60 | - | 18 | 60.00 | C | 22.35 |

Helical interpolation is applicable up to and including 100 mm diameter.
ap change according to insert.