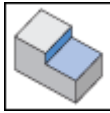
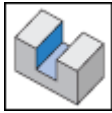
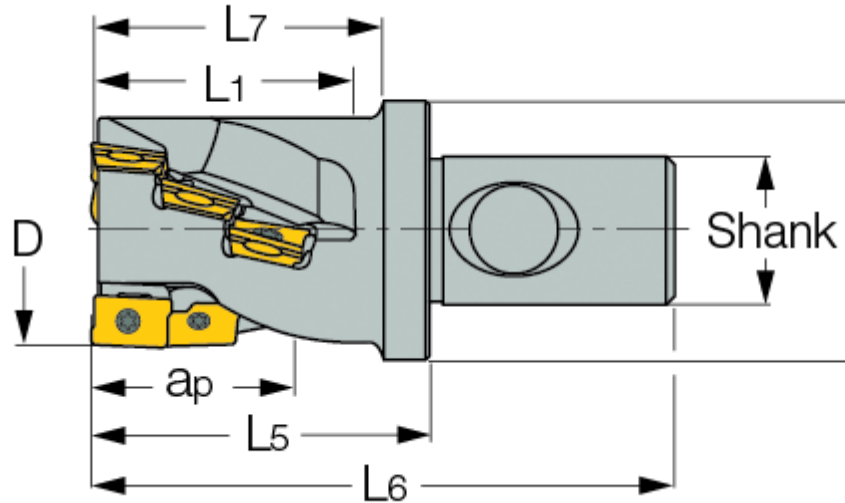




3M AXK-CF-13 : MILL2000, Heavy duty, extended flute endmills with CLICKFIT shanks carrying 3M AXKT 1304... inserts with dovetail applications.



Designation	D	Flute	Z	ap	L1	L7	L5	L6	D3	Shank	Kg
3M AXK D25-25-2-CF4-13	25.00	2	4	24.50	34.0	40.00	48.00	90.00	44.00	CF4	0.33
3M AXK D32-36-2-CF4-13	32.00	2	6	36.50	44.0	50.00	58.00	100.00	44.00	CF4	0.44
3M AXK D40-36-3-CF4-13	40.00	3	9	36.50	47.0	50.00	58.00	100.00	44.00	CF4	0.50
3M AXK D40-48-4-CF4-13	40.00	4	16	48.50	57.0	60.00	68.00	110.00	44.00	CF4	0.58

Reduce feed by 50% during engagement and exit from the workpiece. This practice will substantially increase insert life.

For adaptation click on "More Info"