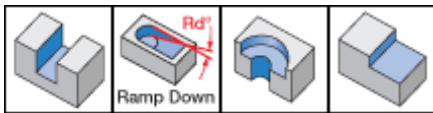
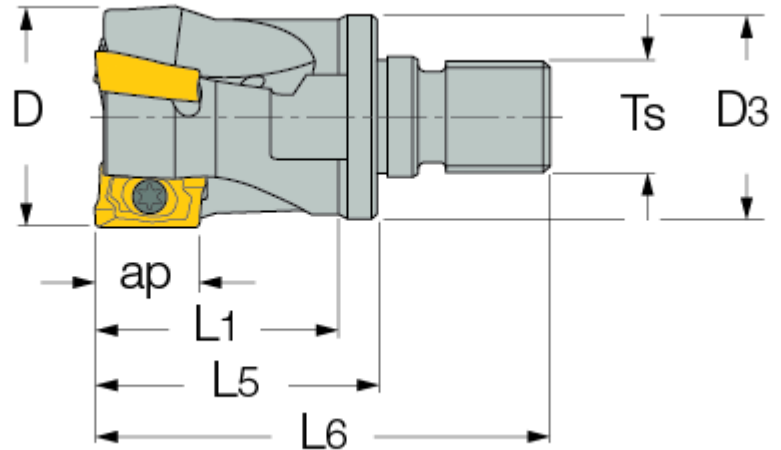




HM90 E90A-M-10 : HELI2000 90° endmills with a FLEXFIT threaded adaptation for HM90 AP.. 1003... inserts.



Designation	D	Z	D3	Ts	L1	L5	L6	ap	Rd?/b>	Kg
HM90 E90A-D16-2-M08	16.00	2	14.75	M08	24.0	30.00	47.50	10.00	15.0	0.02
HM90 E90A-D16-2-M10	16.00	2	18.00	M10	26.0	32.00	52.00	10.00	15.0	0.02
HM90 E90A-D20-2-M10	20.00	2	18.00	M10	30.0	30.00	50.00	10.00	7.5	0.01
HM90 E90A-D20-2-M12	20.00	2	21.00	M12	24.0	30.00	52.00	10.00	7.5	0.06
HM90 E90A-D20-3-M10	20.00	3	18.00	M10	30.0	30.00	50.00	10.00	7.5	0.05
HM90 E90A-D20-3-M12	20.00	3	21.00	M12	24.0	30.00	52.00	10.00	7.5	0.08
HM90 E90A-D25-3-M12	25.00	3	21.00	M12	35.0	35.00	57.00	10.00	5.0	0.07
HM90 E90A-D25-3-M16	25.00	3	29.00	M16	29.0	35.00	60.00	10.00	5.0	0.12
HM90 E90A-D25-4-M12	25.00	4	21.00	M12	35.0	35.00	57.00	10.00	5.0	0.08
HM90 E90A-D25-4-M16	25.00	4	29.00	M16	29.0	35.00	60.00	10.00	5.0	0.12
HM90 E90A-D32-4-M16	32.00	4	29.00	M16	35.0	35.00	60.00	10.00	3.0	0.16

For adaptation, click on "More Info".