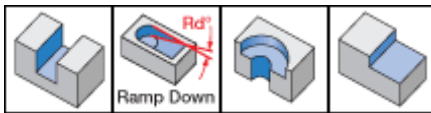
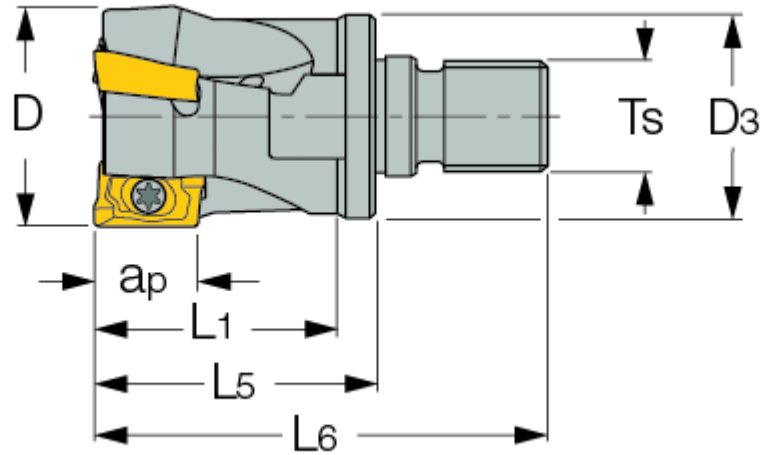




HM90 E90AD-M-15 : HELI2000, 90°endmills with a FLEXFIT threaded adaptation for HM90 ADKT-1505... inserts.



Designation	D	Z	ap	D3	Ts	L1	L5	L6	Rd?/b>	Kg
HM90 E90AD-D25-2-M12	25.00	2	14.30	21.00	M12	35.0	35.00	57.00	11.5	0.07
HM90 E90AD-D25-2-M16	25.00	2	14.30	29.00	M16	29.0	35.00	60.00	11.5	0.11
HM90 E90AD-D32-3-M16	32.00	3	14.30	29.00	M16	40.0	40.00	65.00	5.3	0.15
HM90 E90AD-D40-4-M16	40.00	4	14.30	29.00	M16	40.0	40.00	65.00	4.0	0.20

For adaptation, click on "More Info".