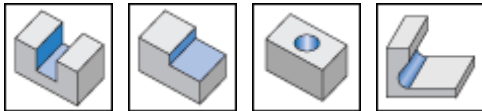
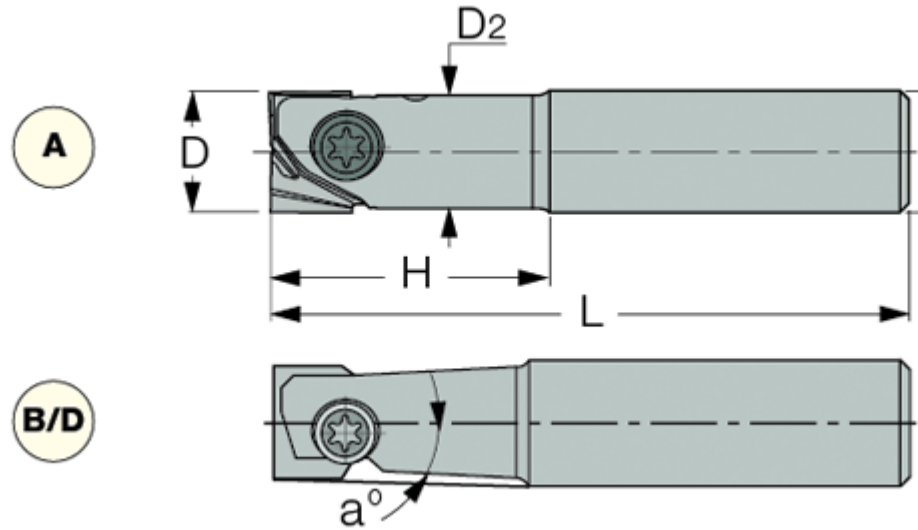




HCE : BALLPLUS, multifunction endmills which can carry ball nose, 90° and toroidal inserts.



Designation	D	H	L	D2	d	Shank	a°	Type	Kg
HCE D12-A-L120-C12	12.00	30.00	120.00	11.10	12.00	C	-	A	0.19
HCE D12-B-L160-C20	12.00	50.00	160.00	-	20.00	C	4.6	B	0.32
HCE D12-D-L160-C16	12.00	60.00	160.00	-	16.00	C	1.9	D	0.21
HCE D16-A-L130-C16	16.00	36.00	130.00	14.90	16.00	C	-	A	0.18
HCE D16-B-L160-C25	16.00	60.00	160.00	-	25.00	C	4.3	B	0.59
HCE D16-D-L160-C20	16.00	65.00	160.00	-	20.00	C	1.7	D	0.32
HCE D20-A-L150-C20	20.00	60.00	150.00	18.80	20.00	C	-	A	0.43
HCE D20-D-L200-C25	20.00	90.00	200.00	-	25.00	C	1.6	D	0.75
HCE D25-A-L170-C25	25.00	70.00	170.00	23.00	25.00	C	-	A	0.68
HCE D25-D-L250-C32	25.00	125.00	250.00	-	32.00	C	1.6	D	1.33

For undercutting use HTR inserts only

The dimensions are for HCC inserts with r=0.5 mm

For adaptation click on "More Info"