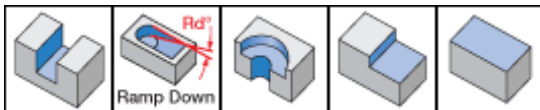
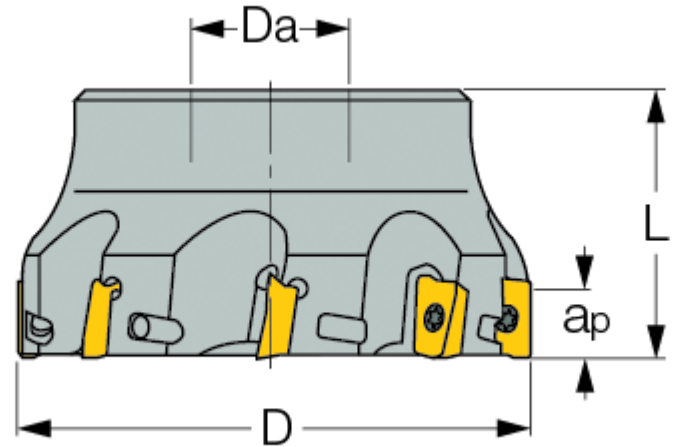




**HM90 F90AP-10** : HELI2000, 90°face mills with HM90 APKT 1003... inserts.



Designation	D	Z	ap	L	Da	Rd?/b>	RPM max	Arbor	Kg
HM90 F90AP D32-3-16	32.00	3	10.00	35.00	16.00	2.2	35355	A	0.15
HM90 F90AP D32-5-16	32.00	5	10.00	35.00	16.00	2.2	35355	A	0.10
HM90 F90AP D40-5-22	40.00	5	10.00	40.00	22.00	1.9	31623	A	0.19
HM90 F90AP D40-6-22	40.00	6	10.00	40.00	22.00	1.9	31623	A	0.18
HM90 F90AP D50-6-22	50.00	6	10.00	40.00	22.00	1.4	28284	A	0.30
HM90 F90AP D50-7-22	50.00	7	10.00	40.00	22.00	1.4	28284	A	0.35
HM90 F90AP D63-7-22	63.00	7	10.00	40.00	22.00	1.0	25198	B	0.49
HM90 F90AP D63-9-22	63.00	9	10.00	40.00	22.00	1.0	25198	B	0.52
HM90 F90AP D80-8-27	80.00	8	10.00	50.00	27.00	0.9	22361	B	0.93
HM90 F90AP D80-11-27	80.00	11	10.00	50.00	27.00	0.9	22631	B	1.00
HM90 F90AP D100-9-32	100.00	9	10.00	50.00	32.00	0.7	20100	B	1.00
HM90 F90AP D100-13-32	100.00	13	10.00	50.00	32.00	0.7	20100	B	1.00
HM90 F90AP D125-10-40	125.00	10	10.00	63.00	40.00	0.5	18000	B	2.81
HM90 F90AP D125-16-40	125.00	16	10.00	63.00	40.00	0.5	18000	B	3.00

For adaptation, click on "More Info".