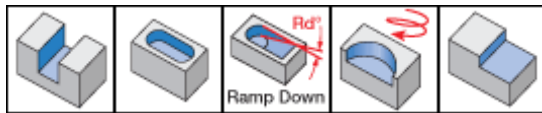
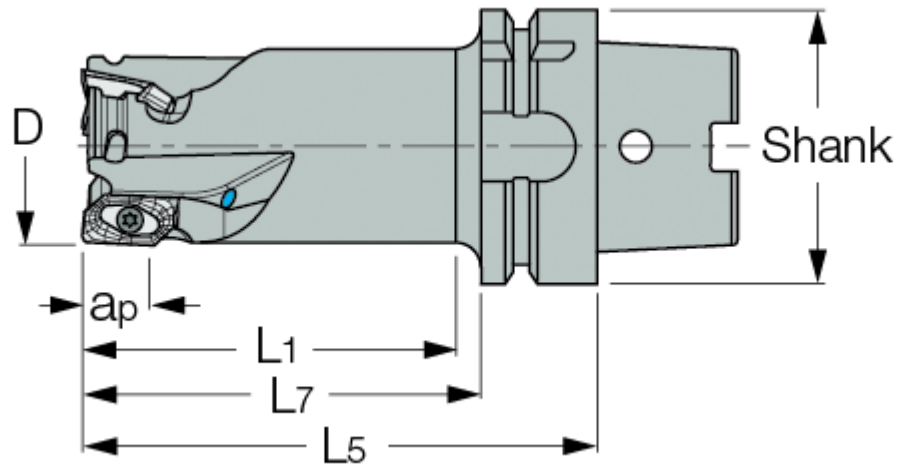




HM90 EAL-HSK63A-15 : Long reach endmills with integral HSK adaptation, used for machining aluminum, carrying HM90 AXCR 15



Designation	D	L1	Z	ap	L7	L5	RPM max	Rd?/b>	Shank	Kg
HM90 EAL25-L50-HSK63A-15	25.00	45.0	2	15.00	50.00	76.00	37500	21.0	HSK A 63	0.87
HM90 EAL25-L75-HSK63A-15	25.00	70.0	2	15.00	75.00	101.00	31250	21.0	HSK A 63	0.82
HM90 EAL32-L65-HSK63A-15	32.00	60.0	3	15.00	65.00	91.00	31250	13.0	HSK A 63	1.02
HM90 EAL32-L100-HSK63A-15	32.00	95.0	3	15.00	100.00	126.00	31250	13.0	HSK A 63	1.21
HM90 EAL40-L80-HSK63A-15	40.00	75.0	3	15.00	80.00	106.00	26040	9.0	HSK A 63	1.31
HM90 EAL40-L120-HSK63A-15	40.00	115.0	3	15.00	120.00	146.00	26040	9.0	HSK A 63	1.66

A cooling tube must be used with all internal coolant HSK spindles (should be ordered separately)

Insert tightening torque: 350 Nxcm

Balanced to G2.5/max RPM