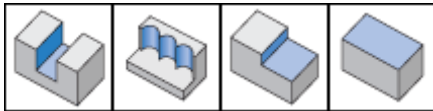
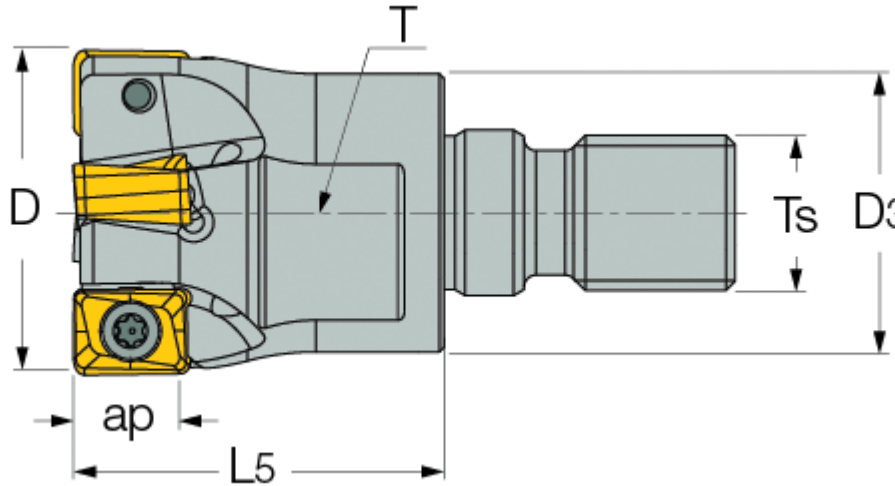




H490 E90AX-M : 90° endmills with FLEXFIT threaded connection, using H490 ANKX/ANCX 09... double-sided rectangular inserts with



Designation	D	Z	ap	L5	D3	Ts	T	Kg
H490 E90AX D20-3-M10-09	20.00	3	8.00	30.00	18.70	M10	16.0	0.32
H490 E90AX D25-4-M12-09	25.00	4	8.00	28.00	21.00	M12	17.0	0.12
H490 E90AX D32-5-M16-09	32.00	5	8.00	30.00	29.00	M16	25.0	0.22

For adaptation, click on "More Info".