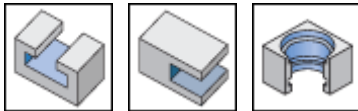
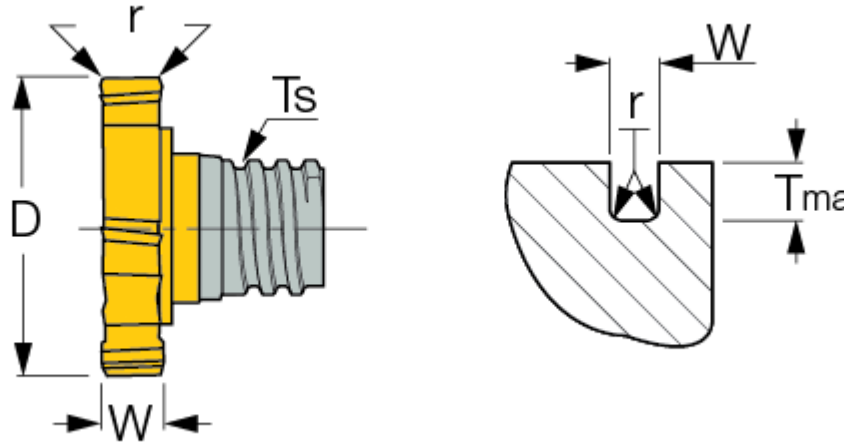




MM TS-H : Interchangeable solid carbide T-Slot milling heads with various corner radius and MULTI-MASTER threaded adaptation.



Designation	D-0.05	W±0.02	Z	Tmax	r	Ts	Grade
MM TS135-H30D-06T05	13.50	3.00	6	2.65	0.40	T05	IC328
MM TS135-H40D-06T05	13.50	4.00	6	2.65	0.40	T05	IC328
MM TS160-H20D-06T06	16.00	2.00	6	3.00	0.40	T06	IC328
MM TS160-H30D-06T06	16.00	3.00	6	3.00	0.40	T06	IC328
MM TS160-H40D-06T06	16.00	4.00	6	3.00	0.40	T06	IC328
MM TS165-H20D-06T06	16.50	2.00	6	3.25	0.40	T06	IC328
MM TS165-H30D-06T06	16.50	3.00	6	3.25	0.40	T06	IC328
MM TS165-H40A-06T05	16.50	4.00	6	4.25	0.20	T05	IC328
MM TS165-H40D-06T06	16.50	4.00	6	3.25	0.40	T06	IC328
MM TS195-H60A-06T06	19.50	6.00	6	4.45	0.20	T06	IC328
MM TS225-H60A-06T06	22.50	6.00	6	5.95	0.20	T06	IC328
MM TS195-H40D-06T08	19.50	4.00	6	3.45	0.40	T08	IC328
MM TS195-H50D-06T08	19.50	5.00	6	3.45	0.40	T08	IC328
MM TS195-H60D-06T08	19.50	6.00	6	3.45	0.40	T08	IC328
MM TS225-H40D-06T08	22.50	4.00	6	4.90	0.40	T08	IC328
MM TS225-H50D-06T08	22.50	5.00	6	4.95	0.40	T08	IC328
MM TS225-H60D-06T08	22.50	6.00	6	4.95	0.40	T08	IC328
MM TS225-H80D-06T08	22.50	8.00	6	4.95	0.40	T08	IC328
MM TS250-H50D-06T08	25.00	5.00	6	5.90	0.40	T08	IC328
MM TS250-H60D-06T08	25.00	6.00	6	5.90	0.40	T08	IC328
MM TS250-H80D-06T08	25.00	8.00	6	5.90	0.40	T08	IC328

MM TS250-H50D-06T10	25.00	5.00	6	4.30	0.40	T10	IC328
MM TS250-H60D-06T10	25.00	6.00	6	4.30	0.40	T10	IC328
MM TS250-H80D-06T10	25.00	8.00	6	4.30	0.40	T10	IC328

For tightening torques and clamping instructions, click on "More Info".
Do not apply lubricant to the threaded connection.