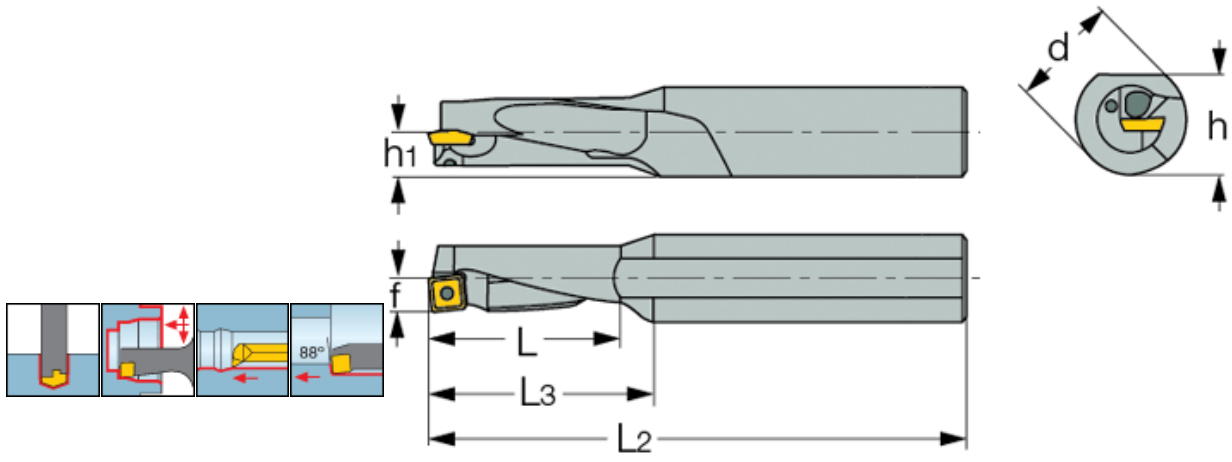


A-SXFOR-DR : Boring and drilling bars with coolant holes using XOMT inserts.



Designation	d	L2	L3	L	f	h1	Ga?/b>	Gr?/b>	h	D min
A1612M SXFOR-06DR	16	180	21	19	6.3	8.5	0	0	15	12.5

