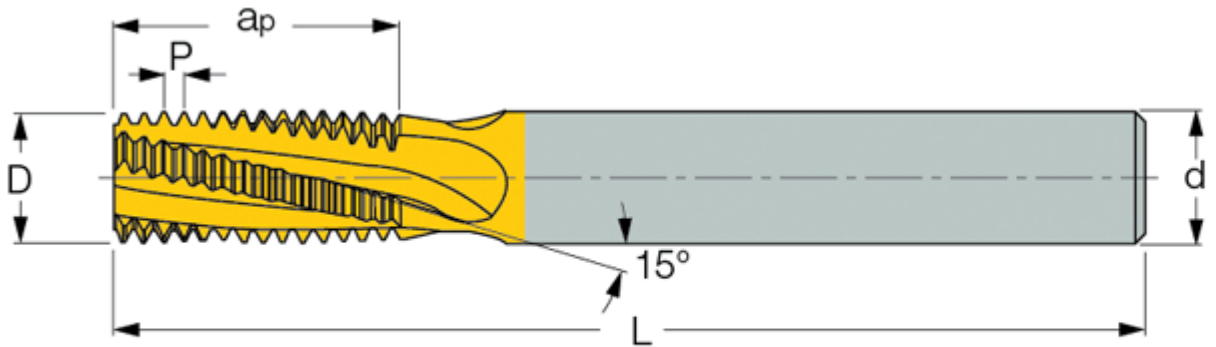
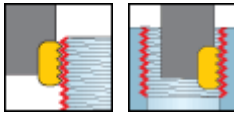




MTEC-W : Solid carbide threading endmills, used for internal or external BSP thread profile.



Application: General engineering fittings and pipe couplings



Designation	TPI	BSP	d	Shank	D	Flute	ap	L	Grade
MTEC 0606C9 28W	28.0	G1/8	6.00	C	6.00	3	9.50	58.00	IC908
MTEC 0808C14 19W	19.0	G1/4-3/8	8.00	C	8.00	3	14.00	64.00	IC908
MTEC 1212D19 14W	14.0	G1/2-7/8	12.00	C	12.00	4	19.30	84.00	IC908
MTEC 1212D26 14W	14.0	G1/2-7/8	12.00	C	12.00	4	26.30	84.00	IC908
MTEC 1212C24 11W	11.0	G1-G1-1/2	12.00	C	12.00	3	24.20	84.00	IC908
MTEC 1616D38 11W	11.0	G1-3	16.00	C	16.00	4	38.10	105.00	IC908
MTEC 2020E47 11W	11.0	G>1	20.00	C	20.00	5	47.30	105.00	IC908