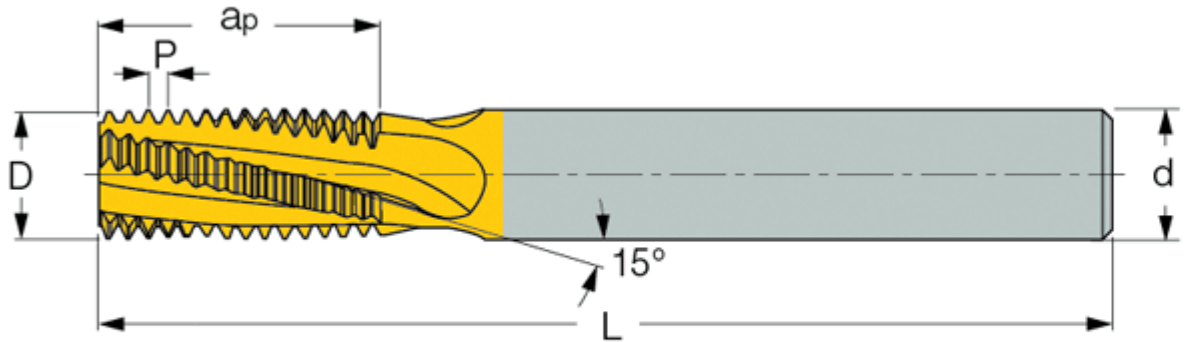
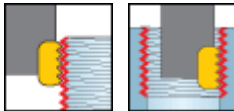




**MTEC-BSPT** : Solid carbide threading endmills, used for external or internal BSPT thread profile.



Application: General engineering fittings and pipe couplings



Designation	TPI	BSPT	d	Shank	D	Flute	ap	L	Grade
MTEC 0606C9 28BSPT	28.0	RC 1/8	6.00	C	6.00	3	9.50	58.00	IC908
MTEC 0808C14 19BSPT	19.0	RC 1/4-3/8	8.00	C	8.00	3	14.00	64.00	IC908
MTEC 1212D19 14BSPT	14.0	RC 1/2-7/8	12.00	C	12.00	4	19.10	84.00	IC908
MTEC 1616D28 11BSPT	11.0	RC 1-2	16.00	C	16.00	4	28.90	105.00	IC908