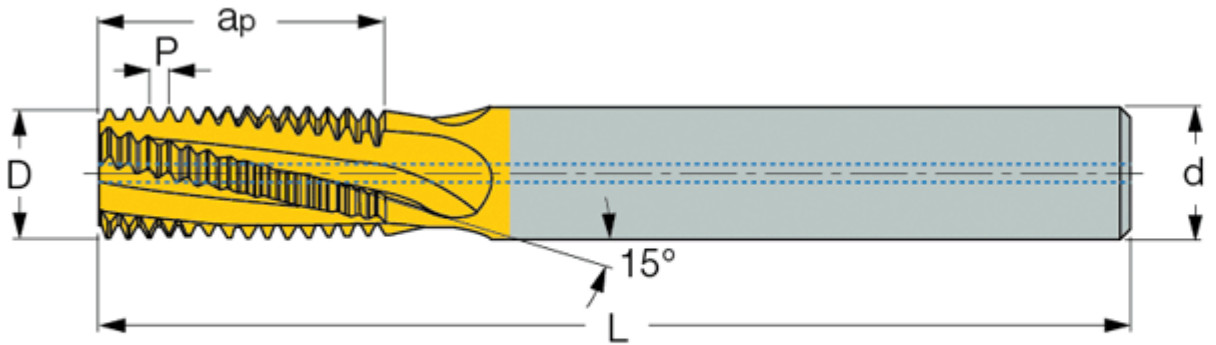
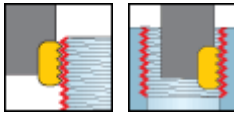




MTEC-NPTF : Solid carbide threading endmills, for external or internal NPTF thread profile.



Application: Steam, gas and water pipes



Designation	TPI	NPTF	D	Flute	ap	L	d	Shank	Grade
MTEC 0606C9 27NPTF	27.0	1/8	6.00	3	9.90	58.00	6.00	C	IC908
MTEC 0808C14 18NPTF	18.0	1/4-3/8	8.00	3	14.80	64.00	8.00	C	IC908
MTEC 1212D20 14NPTF	14.0	1/2-3/4	12.00	4	20.90	84.00	12.00	C	IC908
MTEC 1616D27 11.5NPTF	11.5	1-2	16.00	4	27.60	105.00	16.00	C	IC908
MTEC 2020D39 8NPTF	8.0	=>2-1/2	20.00	4	39.70	105.00	20.00	C	IC908