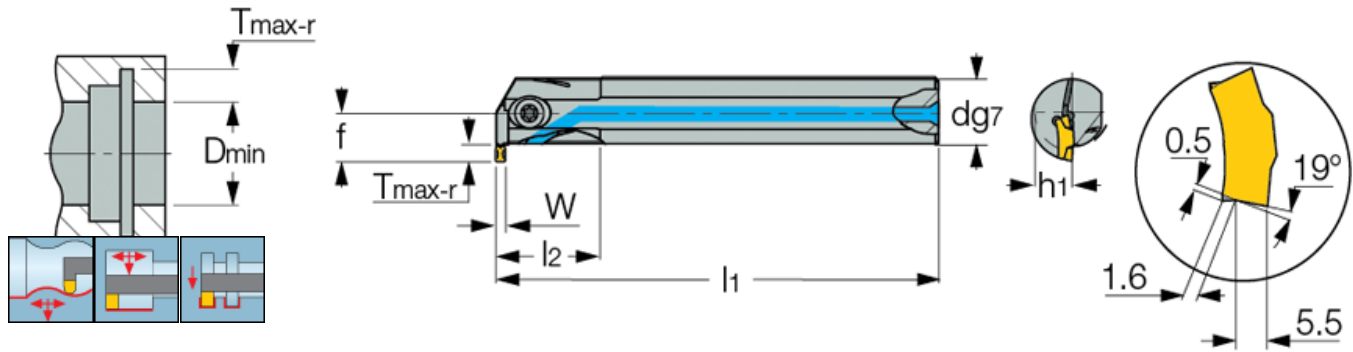




TGIR/L-C : Internal boring bars with coolant holes, for TOP-GRIP utility inserts.



Designation	d	W min	W max	D min	Tmax-r	h1	l1	l2	f
TGIL 16C-3	16	3	3	20.5	5.5	7.5	150	25	12
TGIR 16C-3	16	3	3	20.5	5.5	7.5	150	25	12
TGIL 20C-3	20	3	3	25	5.5	9	180	32	14.2
TGIR 20C-3	20	3	3	25	5.5	9	180	32	14.2
TGIL 25C-3	25	3	3	32	8	11.5	200	40	18.8
TGIR 25C-3	25	3	3	32	8	11.5	200	40	18.8
TGIL 25C-4	25	4	5	32.5	8.5	11.5	200	40	19.5
TGIR 25C-4	25	4	5	32.5	8.5	11.5	200	40	19.5
TGIL 32C-4	32	4	5	42	11	14.5	220	50	25.5
TGIR 32C-4	32	4	5	42	11	14.5	220	50	25.5
TGIL 32C-6	32	6	6.35	57	17.5	14.5	220	50	29
TGIR 32C-6	32	6	6.35	57	17.5	14.5	220	50	29
TGIL 40C-6	40	6	6.35	57	17.5	18	300	60	35.2
TGIR 40C-6	40	6	6.35	57	17.5	18	300	60	35.2

